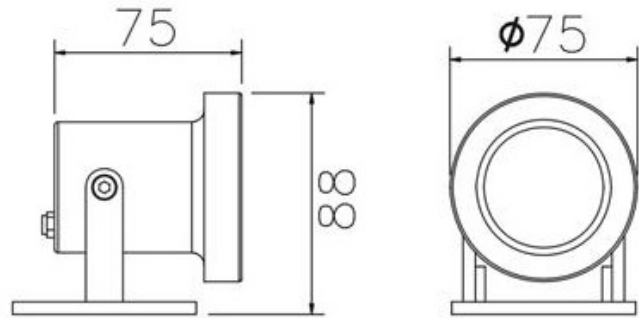
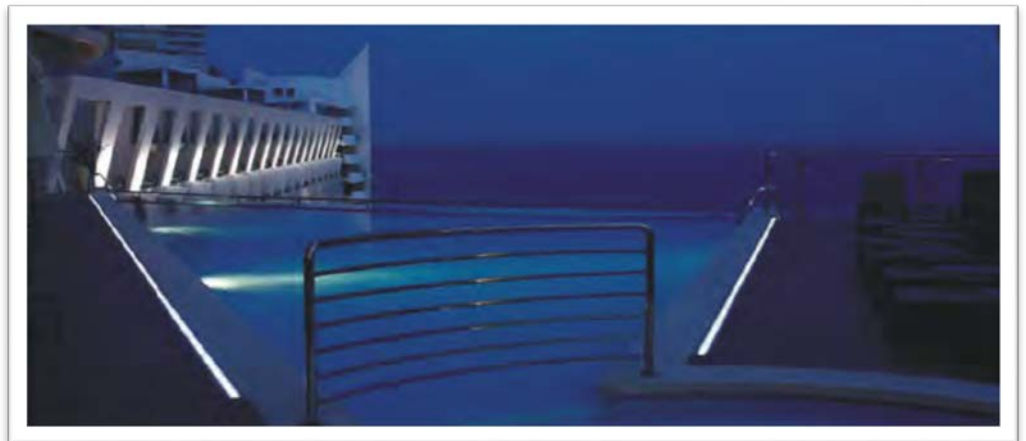



Underwater Light Series



CE  RoHS

IP 68



Model No.	UWL035B	UWL070B
LED chip		
Wattage	3.5 W	7 W
Input Voltage	DC12V / DC24V	
Output Lumen	280 lm	560 lm
Color temperature	3000K / 4000K / 6000K / RGB	
CRI (Ra)	>80	
Beam Angle	25°	
Protection Grade	IP68	
Ambient Temperature	-25°C ~ 50°C	

*另有其他瓦數可供選擇