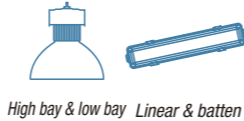


## S0310MC IP65 Microwave Motion Sensor for Warehouse

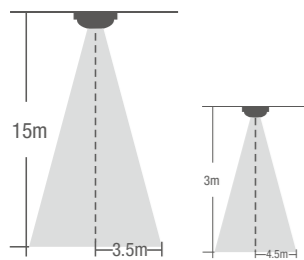


SAA CE IP65



High bay & low bay Linear & batten

### Detection Pattern (max / min)



### Detection area\*

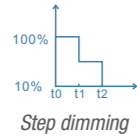
100%	3.5m	4.5m
50%	2m	3m

\*These data were tested by a 165cm height person and his walking speed is 1m/s.

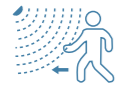
### SPECIFICATIONS

Operating voltage	220~240Vac
Rated Load	800W(Inductive), 1200W (Resistive)
HF system	5.8GHz±75MHz, ISM wave band
Transmitting power	<0.5mW
Power consumption	≤ 1W(stand-by)
Detection Area(Radius)	8m Max.
Max. Mounting height	15m
Hold time	5s/30s/90s/3min/20min/30min
Stand-by Period	5s/5min/10min/30min/60min/+∞
Stand-by DIM Level	10%/20%/30%/50%
Daylight sensor	50lux/100lux/200lux/disable
Operating temperature	-35℃ ~55℃
IP rating	IP65

Dimming  
Function



Step dimming



Normal motion detecting



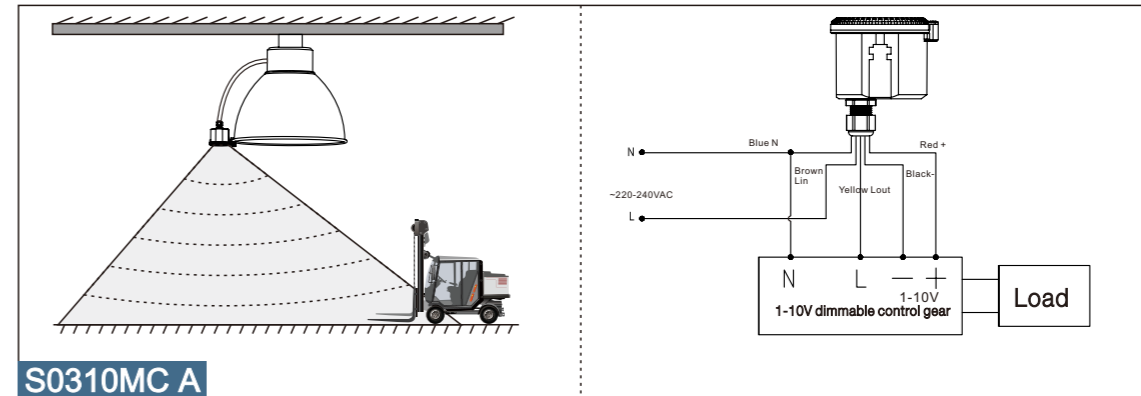
Daylight threshold



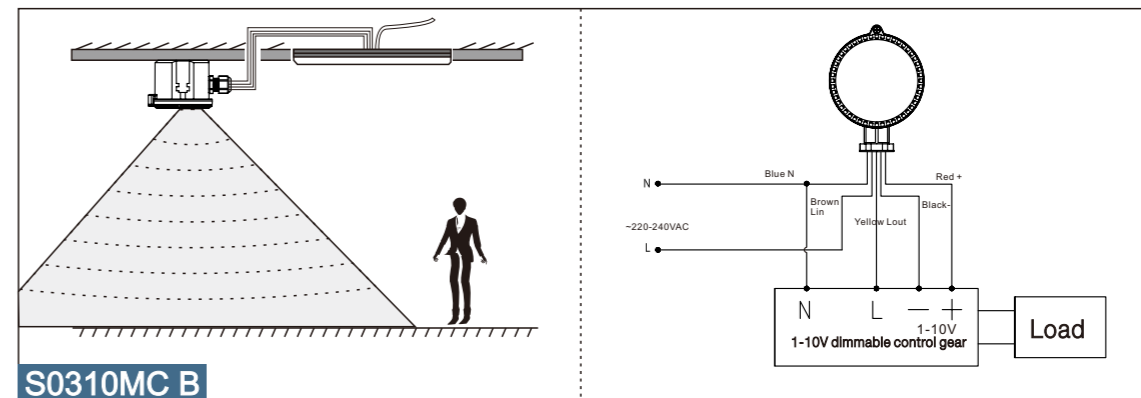
5 Year Guarantee

5 Year Guarantee

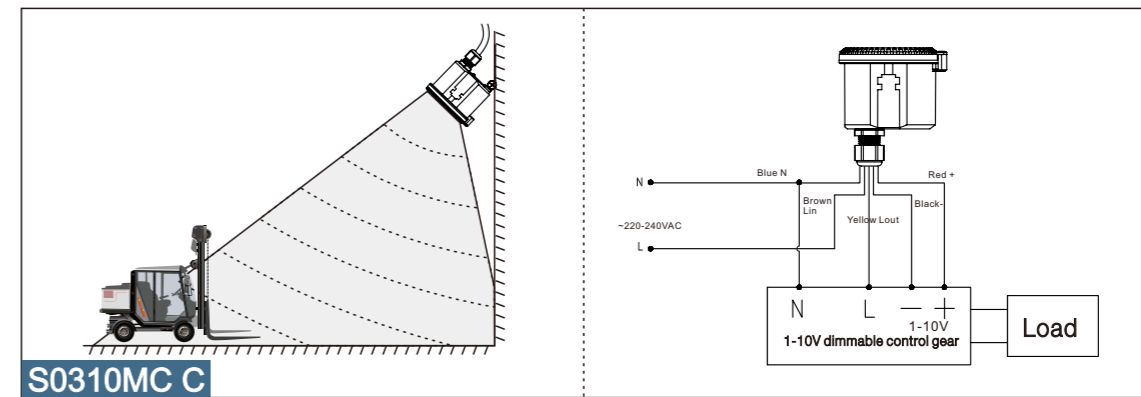
Dimming  
Function



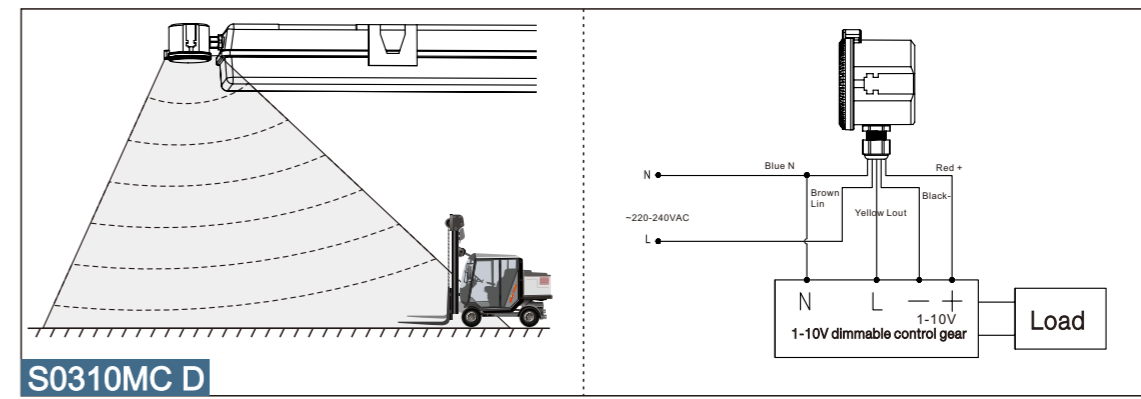
S0310MC A



S0310MC B



S0310MC C



S0310MC D