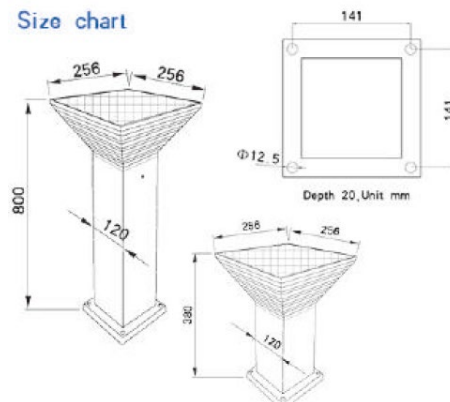


Solar Lawn Light Series



Size chart



Specification

- Detect day and night automatically
- A Grade monocrystalline solar panel, high efficiency solar cells
- Intelligent light control system
- Anti-corrosion aluminium housing
- High impact PC Cover
- Lifetime up to 50000 hours



Model No.	
LED Wattage	4W
Solar Panel	Grade A, 9V/9W Monocrystalline
Battery	6.4V 5AH LiFePO ₄ Lithium Battery
Color temperature	3000K / 4000K / 5700K /6500K
CRI (Ra)	>75
Beam Angle	120°
Charging time	4 hours (AM 1.5, 1000W/m ² , 25°C)
Discharging time	>23 hours (100% power), around 6 rainy days
Material	6063 Aluminum, PC
Protection Grade	IP65
Dimension	256mm x 256mm x H800mm