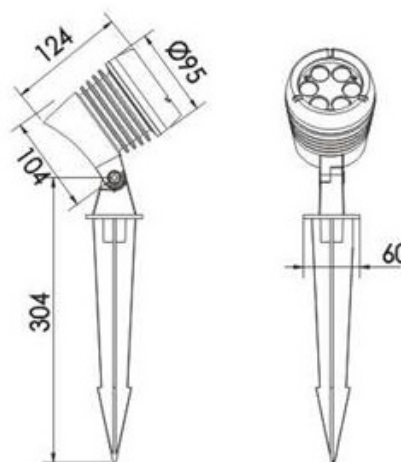


Flood Light Series



IP 66

CE **RoHS**



Model No.	FLSA10070C	FLSA10110C	FLSA10120C
LED chip			
Wattage	7 W	11 W	12 W
Input Voltage	AC100-240V		
Output Lumen	560 lm	880 lm	960 lm
Color temperature	3000K / 4000K / 6000K		
CRI (Ra)	>80		
Beam Angle	12.5° / 20° / 30° / 45°		20°
Protection Grade	IP66		
Ambient Temperature	-25°C ~ 50°C		

*另有其他瓦數可供選擇