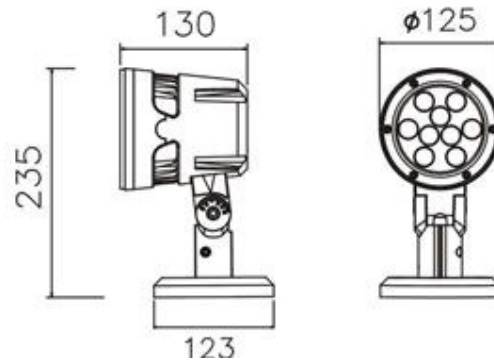
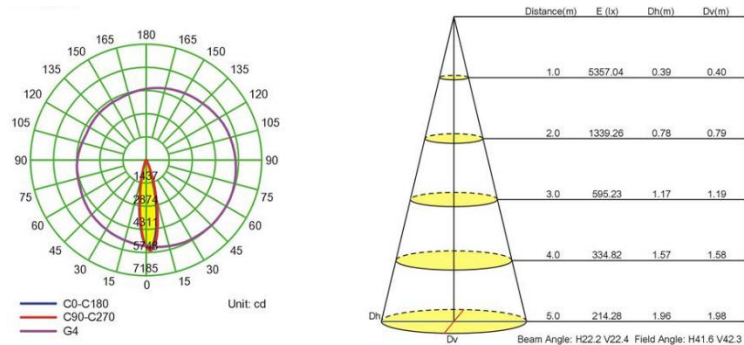


Flood Light Series



Distribution Curve Flux (SBC Case)



Model No.	FLSA0110B	FLSA0200B
LED chip		
Wattage	11 W	20 W
Input Voltage	AC100-240V	
Output Lumen	880 lm	1600 lm
Color temperature	3000K / 4000K / 6000K / RGB	
CRI (Ra)	>80	
Beam Angle	5° / 12.5° / 20° / 30° / 45°	
Protection Grade	IP66	
Ambient Temperature	-25°C ~ 50°C	

*另有其他瓦數可供選擇