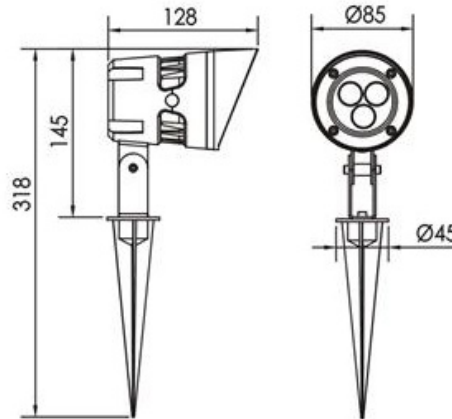
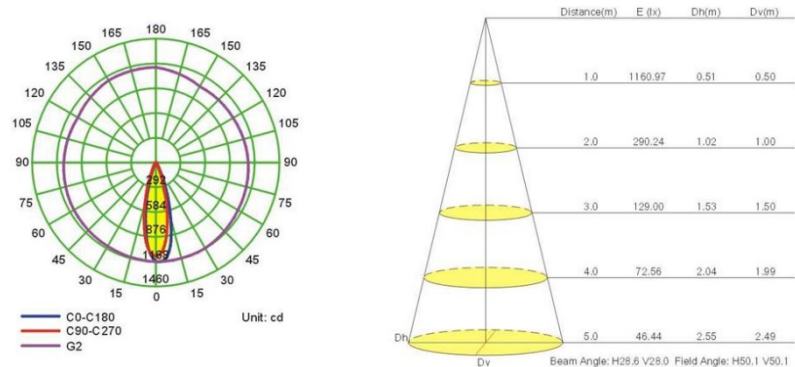


# Flood Light Series



Distribution Curve Flux (SBC Case)



Model No.	FLSA0035C	FLSA0060C	FLSA0080C	FLSA0100C
LED chip				 
Wattage	3.5 W	6 W	8 W	10 W
Input Voltage	AC100-240V			
Output Lumen	280 lm	480 lm	640 lm	800 lm
Color temperature	3000K / 4000K / 6000K / RGB			3000K / 4000K / 6000K
CRI (Ra)	>80			
Beam Angle	5° / 12.5° / 20° / 30° / 45°			25°
Protection Grade	IP66			
Ambient Temperature	-25°C ~ 50°C			

\*另有其他瓦數可供選擇