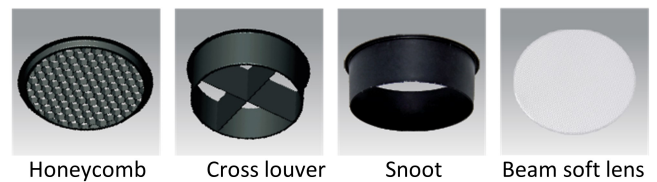
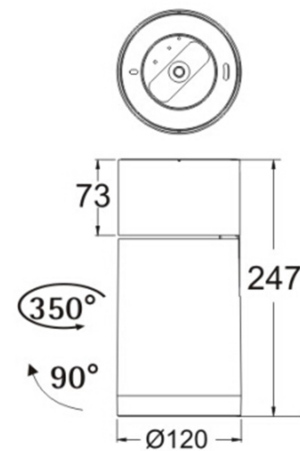


# Surface mounted LED spotlight



## Specification

- COB LED
- Die-casting aluminum heatsink



Produced by



Model	Wattage	Lumen	CCT	CRI	Input voltage
CDLSC11340	40W	2600-3200lm	2700K/3000K/4000K/5000K	80 / 90	AC200-240V
CDLSC11342	42W	2730-3360lm	2700K/3000K/4000K/5000K	80 / 90	AC200-240V
CDLSC11346	46W	2990-3600lm	2700K/3000K/4000K/5000K	80 / 90	AC200-240V
CDLSC11350	50W	3250-4000lm	2700K/3000K/4000K/5000K	80 / 90	AC200-240V