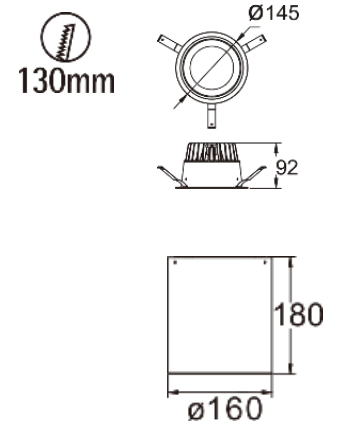
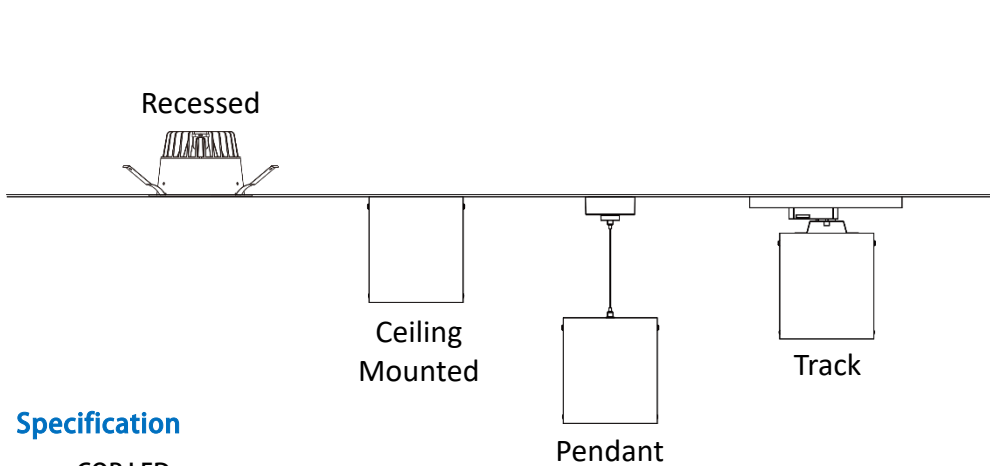




Recessed



Surface mounted/pendant/track



Specification

- COB LED
- Aluminium housing
- High transmittance PC
- External constant current LED driver
- TRIAC dimmable version available
- Surface mounted/pendant/track accessories available

Accessories



Color of reflector



Shin silver Matt silver Gold

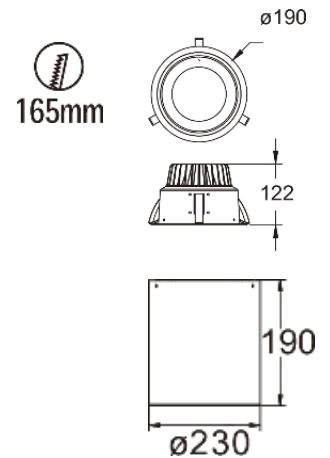
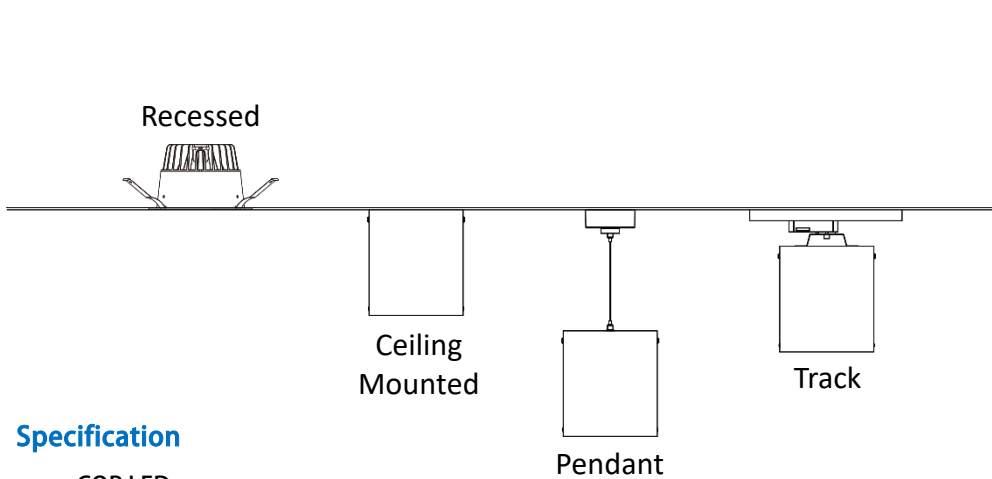


Cut-out	Dimension	Model	Wattage	Lumen	CCT	CRI	Input voltage
130mm	Φ145 x 92	CDLGB75412	12W	864-984lm	3000K/4000K/5000K	>80 / >90	AC220-240V
130mm	Φ145 x 92	CDLGB75415	15W	1020-1170lm	3000K/4000K/5000K	>80 / >90	AC220-240V



Recessed

Surface mounted/pendant/track



Specification

- COB LED
- Aluminium housing
- High transmittance PC
- External constant current LED driver
- TRIAC dimmable version available
- Surface mounted/pendant/track accessories available

Accessories



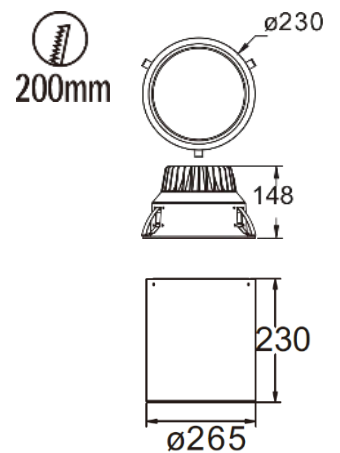
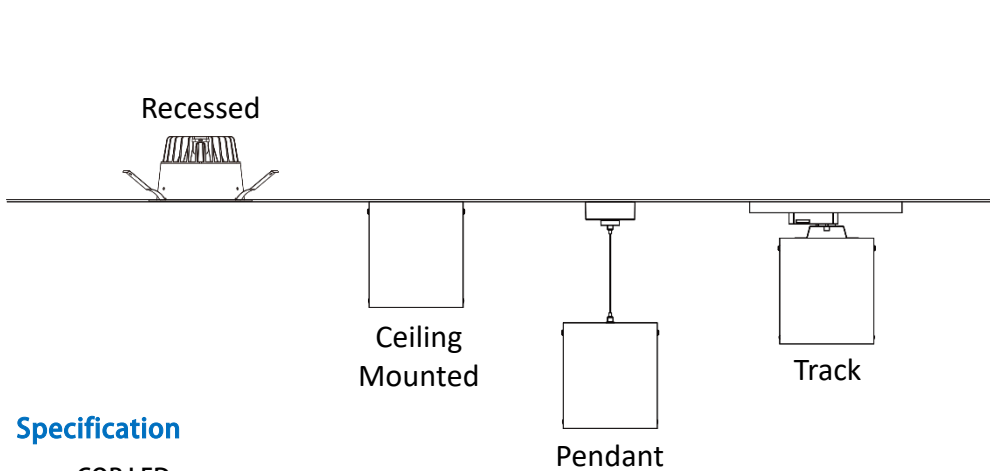
Color of reflector



Shin silver Matt silver Gold



Cut-out	Dimension	Model	Wattage	Lumen	CCT	CRI	Input voltage
165mm	Φ190 x 122	CDLGB75622	22W	1430-1760lm	3000K/4000K/5000K	>80 / >90	AC220-240V
165mm	Φ190 x 122	CDLGB75630	30W	1950-2400lm	3000K/4000K/5000K	>80 / >90	AC220-240V
165mm	Φ190 x 122	CDLGB75633	33W	2145-2640lm	3000K/4000K/5000K	>80 / >90	AC220-240V



Specification

- COB LED
- Aluminium housing
- High transmittance PC
- External constant current LED driver
- TRIAC dimmable version available
- Surface mounted/pendant/track accessories available

Accessories



Color of reflector



Shin silver Matt silver Gold



Cut-out	Dimension	Model	Wattage	Lumen	CCT	CRI	Input voltage
200mm	Φ230 x 148	CDLGB75830	30W	1950-2400lm	3000K/4000K/5000K	>80 / >90	AC220-240V
200mm	Φ230 x 148	CDLGB75833	33W	2145-2640lm	3000K/4000K/5000K	>80 / >90	AC220-240V
200mm	Φ230 x 148	CDLGB75840	40W	2600-3200lm	3000K/4000K/5000K	>80 / >90	AC220-240V